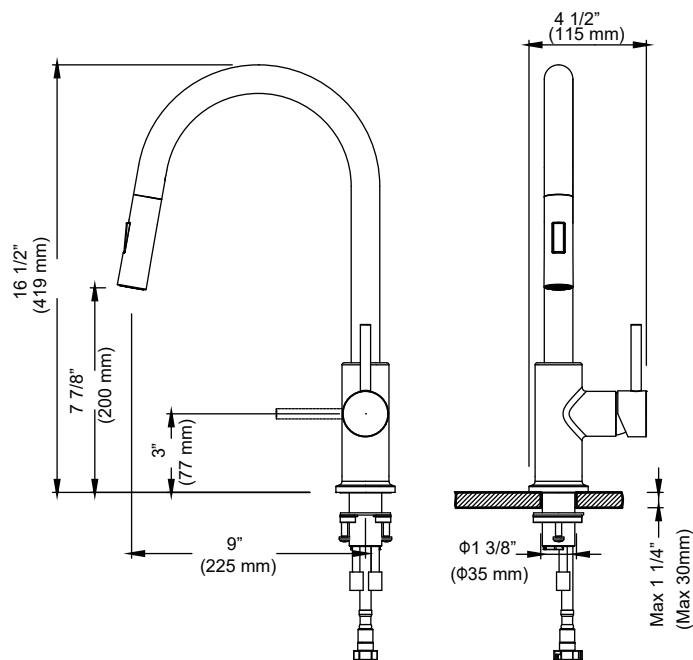


## DIMENSIONS



### BLOSSOM BRAND FAUCETS LIMITED LIFETIME WARRANTY

- Blossom solid brass faucets are manufactured with the most durable ceramic cartridge under the highest standards of quality and workmanship. All Blossom faucets carry a limited lifetime warranty from the original date of purchase.
- We recommend our products to be installed and serviced by a licensed professional plumber or contractor to avoid any improper installation. Warranty is automatically void if any product has been tampered, improperly installed, altered or damaged due to misuse or abuse during installation.
- If a product fails as a result of a defect in manufacturing during the warranty period, Blossom will repair or replace the product or its parts at its sole discretion. Proof of purchase (original invoice / sales receipt) must be provided to Blossom for all warranty claims. The warranty applies only to faucets installed in the United States of America & Canada. Blossom extends its warranty only to the first consumer purchaser.
- BLOSSOM IS NOT LIABLE FOR ANY INCIDENTAL, CONSEQUENTIAL OR ACCIDENTAL DAMAGES, LABOR CHARGES, TRAVEL TIME, FREIGHT COSTS INCURRED OR CONTINGENT LIABILITIES.
- Blossom, makes no representation that its products comply with any or all local building or plumbing codes. It is the consumer's responsibility for determining local code compliance.

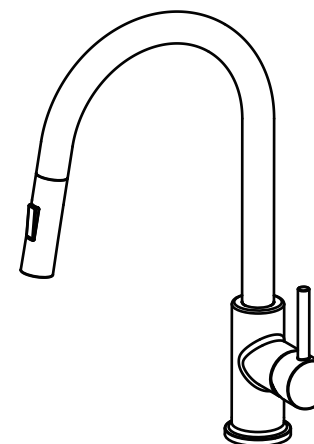
[www.BlossomUS.com](http://www.BlossomUS.com)

  
**BLOSSOM**  
 luxury made simple

## INSTALLATION INSTRUCTIONS

Single Handle Pull Down Kitchen Faucet

**F01 206**



**NSF**



Lead Free Solid Brass Faucet  
**SEDAL Ceramic Cartridge From Spain**  
**Dual Function Head Sprayer**  
 cUPC Stainless Steel Waterlines

[www.BlossomUS.com](http://www.BlossomUS.com)

## Important

- We recommend that this product is installed by a qualified professional plumber / contractor.
- Please check this product immediately to ensure that it has not been damaged and is complete. Before installation, please make sure this product is the correct model and you have all the parts required for installation and using.
- Please flush the water system to ensure that no metal swarf, solder, and other impurities can enter the taps.
- Turn off water supply before commencing work, this should be done at the isolating valves of inlet feeds if fitted or main stopcock.
- Please read these instructions carefully and keep it for future reference.

## Maintenance

Your new faucet is designed for years of trouble-free performance. Keep it looking new by cleaning it periodically with a soft cloth. Avoid abrasive cleaners, steel wool and harsh chemicals as these will scratch, dull, and/or damage the finish and void the warranty.

## Safety Tips

If you use soldering for the installation of the faucet, the seats, cartridges and washers will have to be removed before using flame. Damage caused by improper soldering will void the warranty.

Protect your eyes with safety glasses when cutting or soldering water supply lines.

## Faucet Installation Procedure

1. Shut off water supply. Remove the old faucet and flexible hoses. Clean sink surface with a non abrasive cleaner in preparation for the new faucet.
2. Connect the flexible hose to the end of brass tube.
3. Position the faucet in the countertop hole, from beneath the countertop hole assemble the rubber washer, metal washer, female screw in order. Tighten the head screw until faucet is secure.
4. Insert pull out hose end through hose weight ball. Push hose end onto faucet outlet . Pull down moderately to ensure connection has been made.
5. (If not done already) attach sprayer to female connection of sprayer hose by hand and tighten until secure. Make sure the black washer is seated and installed properly.
6. Attach the female connections of the flexible hoses to the hot and cold water supply .
7. After installation is complete, turn on the water supply and allow both hot and cold water to run separately for at least two minute each. While water is running, check for leaks. It is important to view the connections at the male and female flexible hose connections. If leaks are detected, refer back to the instructions and adjust accordingly.

## Recommended Tools

